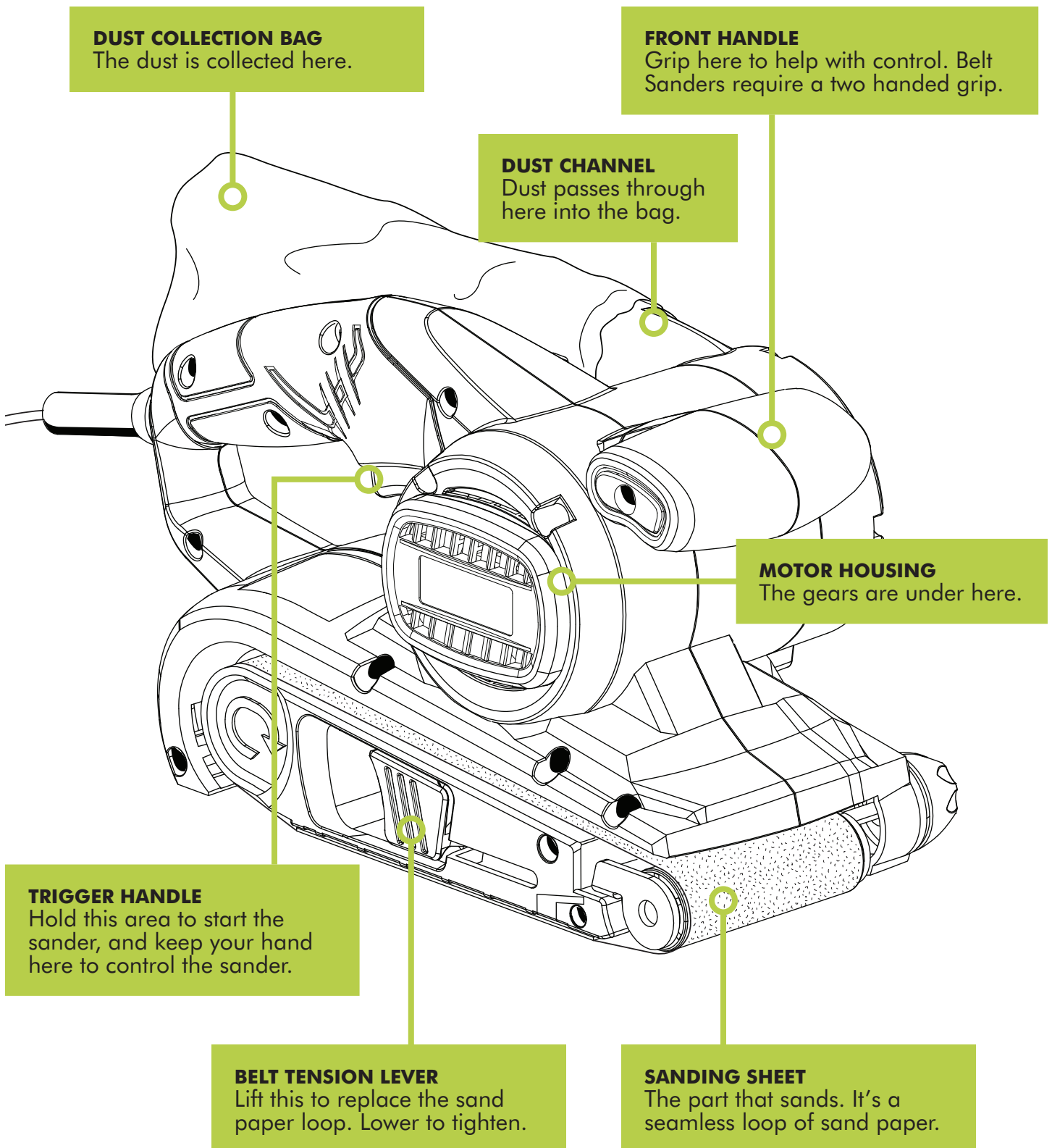


# BELT SANDER



**DUST COLLECTION BAG**  
The dust is collected here.

**FRONT HANDLE**  
Grip here to help with control. Belt Sanders require a two handed grip.

**DUST CHANNEL**  
Dust passes through here into the bag.

**MOTOR HOUSING**  
The gears are under here.

**TRIGGER HANDLE**  
Hold this area to start the sander, and keep your hand here to control the sander.

**BELT TENSION LEVER**  
Lift this to replace the sand paper loop. Lower to tighten.

**SANDING SHEET**  
The part that sands. It's a seamless loop of sand paper.

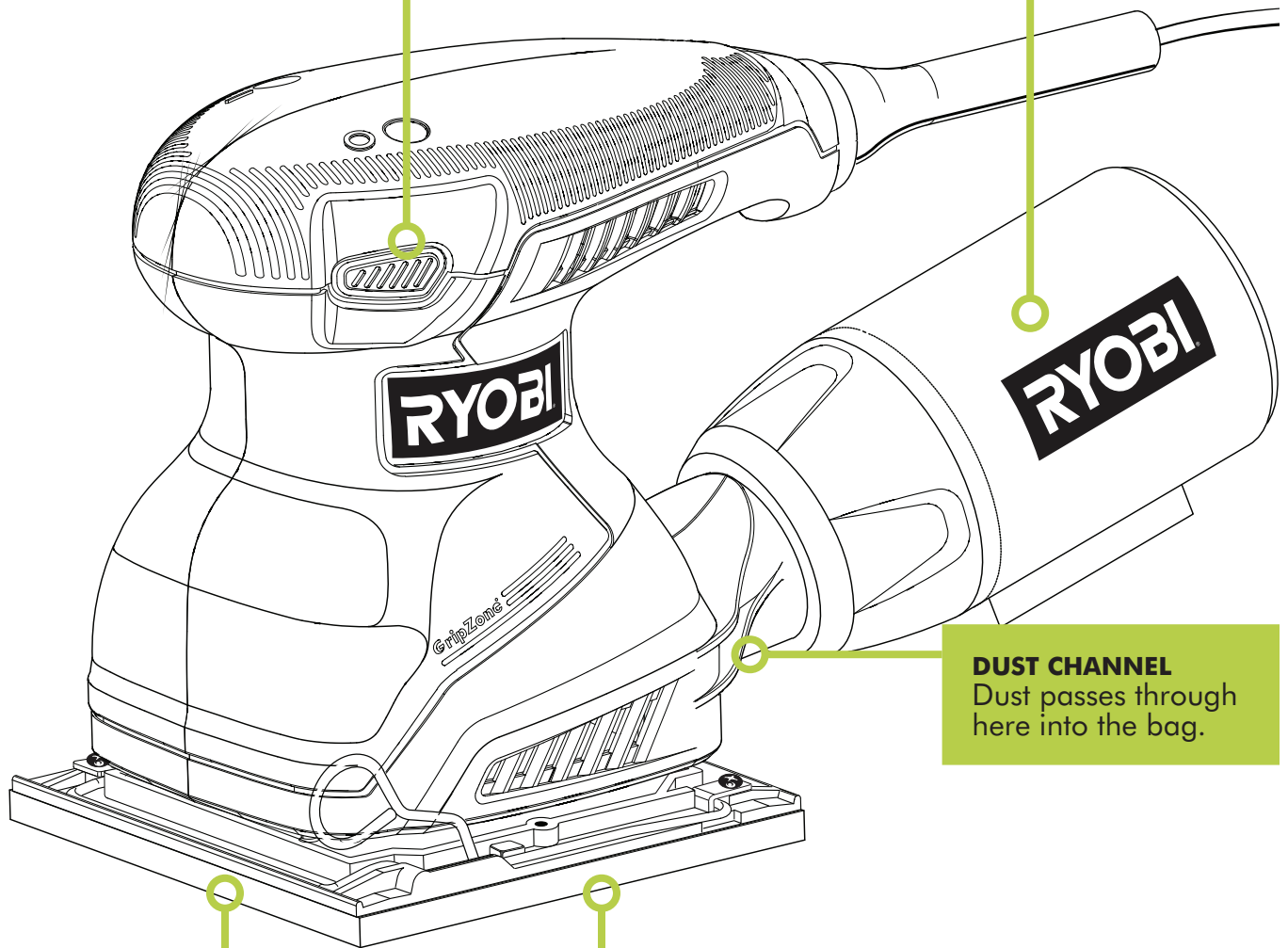
# SHEET SANDER

## ON/OFF SWITCH

Turn the machine on and off here.

## DUST COLLECTION BAG

The dust is collected here.



## DUST CHANNEL

Dust passes through here into the bag.

## SHEET PAD

The sandpaper goes here.

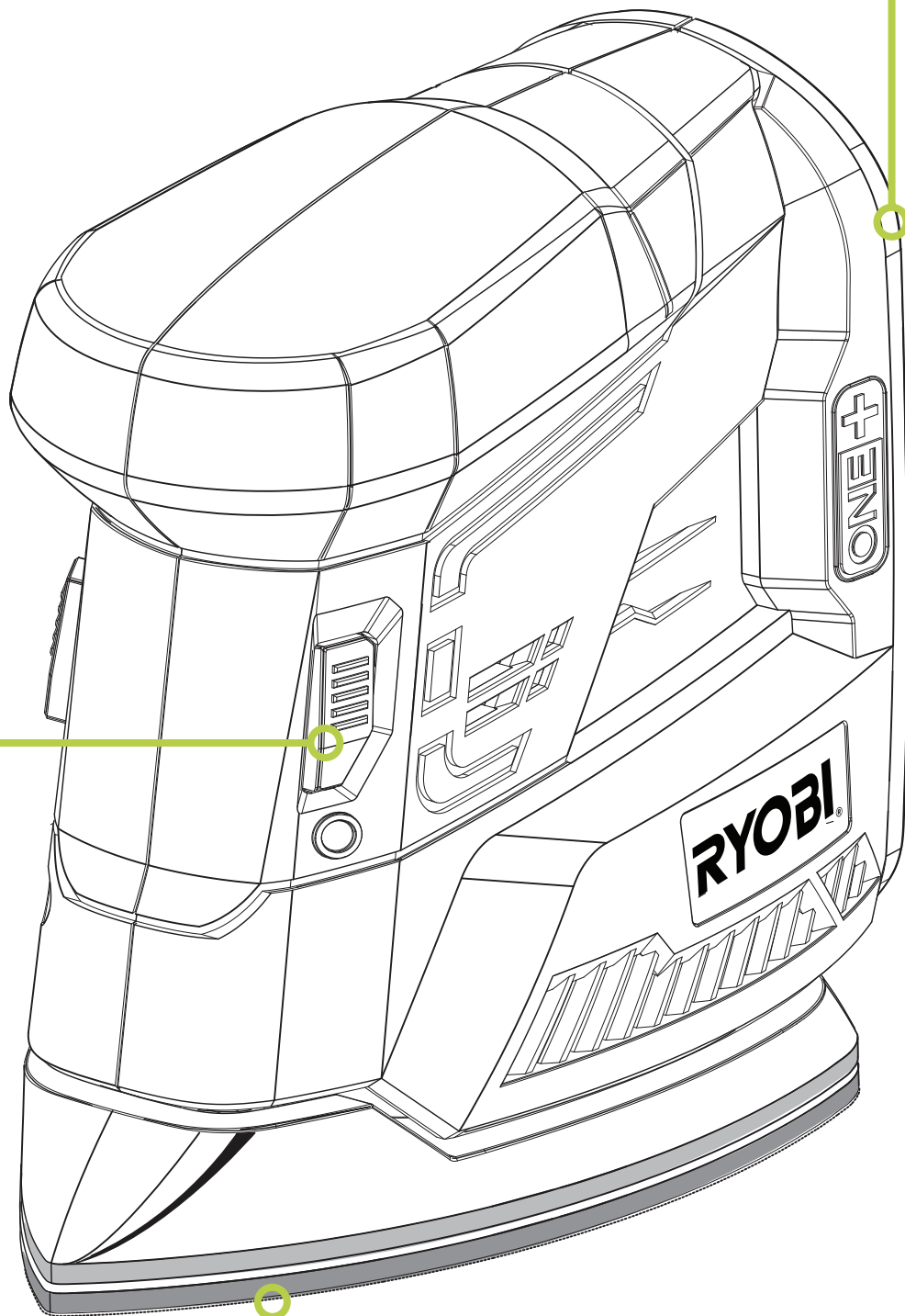
## SHEET CLAMPS

These levers hold the sandpaper in place.

# CORNER CAT / PALM SANDER

**BATTERY PORT**  
Battery goes here.

**ON/OFF SWITCH**  
Turn the machine  
on and off here.



**SHEET PAD**  
The sandpaper goes here.